

/// BCL 300i



These modular, stationary bar code readers feature code fragment technology and numerous equipment features. Also unique is the modular connection technology.



Benefits:

- Integrated fieldbus connectivity (PROFIBUS, PROFINET, EtherNet, EtherNet/IP, TCP/IP, multiNet RS 232/422/485) with Ethernet switch function (for linear topology)
- Full CRT (code reconstruction technology) also detects heavily damaged or soiled codes
- webConfig - an operating-system independent, browser-based configuration tool
- High-quality optics with great depth of field and large opening angle
- Compact housing design for problem-free placement directly at the conveyor line
- Modular connector hood, terminal hood and terminal box and graphical display
- All optics models are also available with optional heating

Switching sensors

Measuring sensors

PART NUMBER CODES – BCL 300i stationary bar code readers

B C L 3 0 0 i S N 1 0 0 H

Type

BCL Bar code reader

Interface (integrated fieldbus technology)

- 300i RS 232 / RS 422 (stand-alone)
- 301i RS 485 (multiNet slave)
- 304i PROFIBUS DP
- 308i EtherNet TCP/IP, UDP
- 348i PROFINET RT
- 358i EtherNet/IP

Scanning principle

- S Line scanner (single line)
- R1 Line scanner (raster)
- O Oscillating-mirror scanner

Optics

- N High Density (close)
- M Medium Density (medium distance)
- F Low Density (far)
- L Long Range
- J Ink-jet (depends on application)

Beam exit

- 100 Lateral
- 102 At the front

Option

- D With display
- H With heating
- DH With display and heating

Products for safety at work

Identification

Data transmission / Control components

Industrial image processing

Accessories

Part no.	Part description	Reading method Light beam exit	Interface	Reading distance	Module size	Scanning rate	Special design Type of display
RS 232, RS 422 interface							
50116224	BCL 300i SN 102 D H	Line scanner Front	RS 232 RS 422	50 ... 160 mm	0.127 ... 0.2 mm	1,000 scans/s	Heating LED Monochromatic graphical display 128 x 32 pixel
50116226	BCL 300i SN 102	Line scanner Front	RS 232 RS 422	50 ... 160 mm	0.127 ... 0.2 mm	1,000 scans/s	LED
50116225	BCL 300i SN 102 D	Line scanner Front	RS 232 RS 422	50 ... 160 mm	0.127 ... 0.2 mm	1,000 scans/s	LED Monochromatic graphical display 128 x 32 pixel
50116218	BCL 300i SM 102 D H	Line scanner Front	RS 232 RS 422	60 ... 320 mm	0.2 ... 0.5 mm	1,000 scans/s	Heating LED Monochromatic graphical display 128 x 32 pixel
50116220	BCL 300i SM 102	Line scanner Front	RS 232 RS 422	60 ... 320 mm	0.2 ... 0.5 mm	1,000 scans/s	LED
50116219	BCL 300i SM 102 D	Line scanner Front	RS 232 RS 422	60 ... 320 mm	0.2 ... 0.5 mm	1,000 scans/s	LED Monochromatic graphical display 128 x 32 pixel
50116206	BCL 300i SF 102 D H	Line scanner Front	RS 232 RS 422	100 ... 470 mm	0.3 ... 0.5 mm	1,000 scans/s	Heating LED Monochromatic graphical display 128 x 32 pixel
50116208	BCL 300i SF 102	Line scanner Front	RS 232 RS 422	100 ... 470 mm	0.3 ... 0.5 mm	1,000 scans/s	LED
50116207	BCL 300i SF 102 D	Line scanner Front	RS 232 RS 422	100 ... 470 mm	0.3 ... 0.5 mm	1,000 scans/s	LED Monochromatic graphical display 128 x 32 pixel
50116212	BCL 300i SL 102 D H	Line scanner Front	RS 232 RS 422	100 ... 700 mm	0.35 ... 0.8 mm	1,000 scans/s	Heating LED Monochromatic graphical display 128 x 32 pixel
50116214	BCL 300i SL 102	Line scanner Front	RS 232 RS 422	100 ... 700 mm	0.35 ... 0.8 mm	1,000 scans/s	LED
50116213	BCL 300i SL 102 D	Line scanner Front	RS 232 RS 422	100 ... 700 mm	0.35 ... 0.8 mm	1,000 scans/s	LED Monochromatic graphical display 128 x 32 pixel
50116221	BCL 300i SN 100 D H	Line scanner with deflecting mirror Lateral with deflecting mirror	RS 232 RS 422	20 ... 130 mm	0.127 ... 0.2 mm	1,000 scans/s	Heating LED Monochromatic graphical display 128 x 32 pixel
50116223	BCL 300i SN 100	Line scanner with deflecting mirror Lateral with deflecting mirror	RS 232 RS 422	20 ... 130 mm	0.127 ... 0.2 mm	1,000 scans/s	LED
50116222	BCL 300i SN 100 D	Line scanner with deflecting mirror Lateral with deflecting mirror	RS 232 RS 422	20 ... 130 mm	0.127 ... 0.2 mm	1,000 scans/s	LED Monochromatic graphical display 128 x 32 pixel
50116215	BCL 300i SM 100 D H	Line scanner with deflecting mirror Lateral with deflecting mirror	RS 232 RS 422	30 ... 290 mm	0.2 ... 0.5 mm	1,000 scans/s	Heating LED Monochromatic graphical display 128 x 32 pixel
50116217	BCL 300i SM 100	Line scanner with deflecting mirror Lateral with deflecting mirror	RS 232 RS 422	30 ... 290 mm	0.2 ... 0.5 mm	1,000 scans/s	LED
50116216	BCL 300i SM 100 D	Line scanner with deflecting mirror Lateral with deflecting mirror	RS 232 RS 422	30 ... 290 mm	0.2 ... 0.5 mm	1,000 scans/s	LED Monochromatic graphical display 128 x 32 pixel
50116203	BCL 300i SF 100 D H	Line scanner with deflecting mirror Lateral with deflecting mirror	RS 232 RS 422	70 ... 445 mm	0.3 ... 0.5 mm	1,000 scans/s	Heating LED Monochromatic graphical display 128 x 32 pixel
50116205	BCL 300i SF 100	Line scanner with deflecting mirror Lateral with deflecting mirror	RS 232 RS 422	70 ... 445 mm	0.3 ... 0.5 mm	1,000 scans/s	LED
50116204	BCL 300i SF 100 D	Line scanner with deflecting mirror Lateral with deflecting mirror	RS 232 RS 422	70 ... 445 mm	0.3 ... 0.5 mm	1,000 scans/s	LED Monochromatic graphical display 128 x 32 pixel
50116209	BCL 300i SL 100 D H	Line scanner with deflecting mirror Lateral with deflecting mirror	RS 232 RS 422	70 ... 670 mm	0.35 ... 0.8 mm	1,000 scans/s	Heating LED Monochromatic graphical display 128 x 32 pixel
50116211	BCL 300i SL 100	Line scanner with deflecting mirror Lateral with deflecting mirror	RS 232 RS 422	70 ... 670 mm	0.35 ... 0.8 mm	1,000 scans/s	LED
50116210	BCL 300i SL 100 D	Line scanner with deflecting mirror Lateral with deflecting mirror	RS 232 RS 422	70 ... 670 mm	0.35 ... 0.8 mm	1,000 scans/s	LED Monochromatic graphical display 128 x 32 pixel
50116202	BCL 300i R1 N 102	Raster scanner Front	RS 232 RS 422	50 ... 160 mm	0.127 ... 0.2 mm	1,000 scans/s	LED
50116201	BCL 300i R1 N 102 D	Raster scanner Front	RS 232 RS 422	50 ... 160 mm	0.127 ... 0.2 mm	1,000 scans/s	LED Monochromatic graphical display 128 x 32 pixel
50116198	BCL 300i R1 M 102	Raster scanner Front	RS 232 RS 422	60 ... 320 mm	0.2 ... 0.5 mm	1,000 scans/s	LED
50116197	BCL 300i R1 M 102 D	Raster scanner Front	RS 232 RS 422	60 ... 320 mm	0.2 ... 0.5 mm	1,000 scans/s	LED Monochromatic graphical display 128 x 32 pixel
50116194	BCL 300i R1 F 102	Raster scanner Front	RS 232 RS 422	100 ... 470 mm	0.3 ... 0.5 mm	1,000 scans/s	LED
50116193	BCL 300i R1 F 102 D	Raster scanner Front	RS 232 RS 422	100 ... 470 mm	0.3 ... 0.5 mm	1,000 scans/s	LED Monochromatic graphical display 128 x 32 pixel
50116200	BCL 300i R1 N 100	Raster scanner with deflecting mirror Lateral with deflecting mirror	RS 232 RS 422	20 ... 130 mm	0.127 ... 0.2 mm	1,000 scans/s	LED
50116199	BCL 300i R1 N 100 D	Raster scanner with deflecting mirror Lateral with deflecting mirror	RS 232 RS 422	20 ... 130 mm	0.127 ... 0.2 mm	1,000 scans/s	LED Monochromatic graphical display 128 x 32 pixel
50116196	BCL 300i R1 M 100	Raster scanner with deflecting mirror Lateral with deflecting mirror	RS 232 RS 422	30 ... 290 mm	0.2 ... 0.5 mm	1,000 scans/s	LED
50116195	BCL 300i R1 M 100 D	Raster scanner with deflecting mirror Lateral with deflecting mirror	RS 232 RS 422	30 ... 290 mm	0.2 ... 0.5 mm	1,000 scans/s	LED Monochromatic graphical display 128 x 32 pixel
50116192	BCL 300i R1 F 100	Raster scanner with deflecting mirror Lateral with deflecting mirror	RS 232 RS 422	70 ... 440 mm	0.3 ... 0.5 mm	1,000 scans/s	LED
50116191	BCL 300i R1 F 100 D	Raster scanner with deflecting mirror Lateral with deflecting mirror	RS 232 RS 422	70 ... 440 mm	0.3 ... 0.5 mm	1,000 scans/s	LED Monochromatic graphical display 128 x 32 pixel
50123508	BCL 300i R1 J 100	Raster scanner with deflecting mirror Lateral with deflecting mirror	RS 232 RS 422	100 ... 600 mm	0.5 ... 0.8 mm	1,000 scans/s	LED

Necessary accessories: A modular connector hood and terminal hood are required for operation!

Part no.	Part description	Reading method Light beam exit	Interface	Reading distance	Module size	Scanning rate	Special design Type of display
50116187	BCL 300i OM 100 D H	Oscillating-mirror scanner Zero position at side at angle less than 90°	RS 232 RS 422	40 ... 300 mm	0.2 ... 0.5 mm	1,000 scans/s	Heating LED Monochromatic graphical display 128 x 32 pixel
50116185	BCL 300i OM 100	Oscillating-mirror scanner Zero position at side at angle less than 90°	RS 232 RS 422	40 ... 300 mm	0.2 ... 0.5 mm	1,000 scans/s	LED
50116186	BCL 300i OM 100 D	Oscillating-mirror scanner Zero position at side at angle less than 90°	RS 232 RS 422	40 ... 300 mm	0.2 ... 0.5 mm	1,000 scans/s	LED Monochromatic graphical display 128 x 32 pixel
50116181	BCL 300i OF 100 D H	Oscillating-mirror scanner Zero position at side at angle less than 90°	RS 232 RS 422	80 ... 455 mm	0.3 ... 0.5 mm	1,000 scans/s	Heating LED Monochromatic graphical display 128 x 32 pixel
50116179	BCL 300i OF 100	Oscillating-mirror scanner Zero position at side at angle less than 90°	RS 232 RS 422	80 ... 455 mm	0.3 ... 0.5 mm	1,000 scans/s	LED
50116180	BCL 300i OF 100 D	Oscillating-mirror scanner Zero position at side at angle less than 90°	RS 232 RS 422	80 ... 455 mm	0.3 ... 0.5 mm	1,000 scans/s	LED Monochromatic graphical display 128 x 32 pixel
50116184	BCL 300i OL 100 D H	Oscillating-mirror scanner Zero position at side at angle less than 90°	RS 232 RS 422	80 ... 680 mm	0.35 ... 0.8 mm	1,000 scans/s	Heating LED Monochromatic graphical display 128 x 32 pixel
50116182	BCL 300i OL 100	Oscillating-mirror scanner Zero position at side at angle less than 90°	RS 232 RS 422	80 ... 680 mm	0.35 ... 0.8 mm	1,000 scans/s	LED
50116183	BCL 300i OL 100 D	Oscillating-mirror scanner Zero position at side at angle less than 90°	RS 232 RS 422	80 ... 680 mm	0.35 ... 0.8 mm	1,000 scans/s	LED Monochromatic graphical display 128 x 32 pixel

PROFINET interface

50116460	BCL 348i SN 102 D H	Line scanner Front	PROFINET	50 ... 160 mm	0.127 ... 0.2 mm	1,000 scans/s	Heating LED Monochromatic graphical display 128 x 32 pixel
50116462	BCL 348i SN 102	Line scanner Front	PROFINET	50 ... 160 mm	0.127 ... 0.2 mm	1,000 scans/s	LED
50116461	BCL 348i SN 102 D	Line scanner Front	PROFINET	50 ... 160 mm	0.127 ... 0.2 mm	1,000 scans/s	LED Monochromatic graphical display 128 x 32 pixel
50116454	BCL 348i SM 102 D H	Line scanner Front	PROFINET	60 ... 320 mm	0.2 ... 0.5 mm	1,000 scans/s	Heating LED Monochromatic graphical display 128 x 32 pixel
50116456	BCL 348i SM 102	Line scanner Front	PROFINET	60 ... 320 mm	0.2 ... 0.5 mm	1,000 scans/s	LED
50116455	BCL 348i SM 102 D	Line scanner Front	PROFINET	60 ... 320 mm	0.2 ... 0.5 mm	1,000 scans/s	LED Monochromatic graphical display 128 x 32 pixel
50116442	BCL 348i SF 102 D H	Line scanner Front	PROFINET	100 ... 475 mm	0.3 ... 0.5 mm	1,000 scans/s	Heating LED Monochromatic graphical display 128 x 32 pixel
50116444	BCL 348i SF 102	Line scanner Front	PROFINET	100 ... 475 mm	0.3 ... 0.5 mm	1,000 scans/s	LED
50116443	BCL 348i SF 102 D	Line scanner Front	PROFINET	100 ... 475 mm	0.3 ... 0.5 mm	1,000 scans/s	LED Monochromatic graphical display 128 x 32 pixel
50116448	BCL 348i SL 102 D H	Line scanner Front	PROFINET	100 ... 700 mm	0.35 ... 0.8 mm	1,000 scans/s	Heating LED Monochromatic graphical display 128 x 32 pixel
50116450	BCL 348i SL 102	Line scanner Front	PROFINET	100 ... 700 mm	0.35 ... 0.8 mm	1,000 scans/s	LED
50116449	BCL 348i SL 102 D	Line scanner Front	PROFINET	100 ... 700 mm	0.35 ... 0.8 mm	1,000 scans/s	LED Monochromatic graphical display 128 x 32 pixel
50116457	BCL 348i SN 100 D H	Line scanner with deflecting mirror Lateral with deflecting mirror	PROFINET	20 ... 130 mm	0.127 ... 0.2 mm	1,000 scans/s	Heating LED Monochromatic graphical display 128 x 32 pixel
50116459	BCL 348i SN 100	Line scanner with deflecting mirror Lateral with deflecting mirror	PROFINET	20 ... 130 mm	0.127 ... 0.2 mm	1,000 scans/s	LED
50116458	BCL 348i SN 100 D	Line scanner with deflecting mirror Lateral with deflecting mirror	PROFINET	20 ... 130 mm	0.127 ... 0.2 mm	1,000 scans/s	LED Monochromatic graphical display 128 x 32 pixel
50116452	BCL 348i SM 100 D H	Line scanner with deflecting mirror Lateral with deflecting mirror	PROFINET	30 ... 290 mm	0.2 ... 0.5 mm	1,000 scans/s	Heating LED Monochromatic graphical display 128 x 32 pixel
50116451	BCL 348i SM 100	Line scanner with deflecting mirror Lateral with deflecting mirror	PROFINET	30 ... 290 mm	0.2 ... 0.5 mm	1,000 scans/s	LED
50116453	BCL 348i SM 100 D	Line scanner with deflecting mirror Lateral with deflecting mirror	PROFINET	30 ... 290 mm	0.2 ... 0.5 mm	1,000 scans/s	LED Monochromatic graphical display 128 x 32 pixel
50116439	BCL 348i SF 100 D H	Line scanner with deflecting mirror Lateral with deflecting mirror	PROFINET	70 ... 445 mm	0.3 ... 0.5 mm	1,000 scans/s	Heating LED Monochromatic graphical display 128 x 32 pixel
50116441	BCL 348i SF 100	Line scanner with deflecting mirror Lateral with deflecting mirror	PROFINET	70 ... 445 mm	0.3 ... 0.5 mm	1,000 scans/s	LED
50116440	BCL 348i SF 100 D	Line scanner with deflecting mirror Lateral with deflecting mirror	PROFINET	70 ... 445 mm	0.3 ... 0.5 mm	1,000 scans/s	LED Monochromatic graphical display 128 x 32 pixel
50116445	BCL 348i SL 100 D H	Line scanner with deflecting mirror Lateral with deflecting mirror	PROFINET	70 ... 670 mm	0.35 ... 0.8 mm	1,000 scans/s	Heating LED Monochromatic graphical display 128 x 32 pixel
50116447	BCL 348i SL 100	Line scanner with deflecting mirror Lateral with deflecting mirror	PROFINET	70 ... 670 mm	0.35 ... 0.8 mm	1,000 scans/s	LED
50116446	BCL 348i SL 100 D	Line scanner with deflecting mirror Lateral with deflecting mirror	PROFINET	70 ... 670 mm	0.35 ... 0.8 mm	1,000 scans/s	LED Monochromatic graphical display 128 x 32 pixel
50116438	BCL 348i R1 N 102	Raster scanner Front	PROFINET	50 ... 160 mm	0.127 ... 0.2 mm	1,000 scans/s	LED

Necessary accessories: A modular connector hood and terminal hood are required for operation!

Switching sensors

Measuring sensors

Products for safety at work

Identification

Data transmission / Control components

Industrial image processing

Accessories

Part no.	Part description	Reading method Light beam exit	Interface	Reading distance	Module size	Scanning rate	Special design Type of display
50116437	BCL 348i R1 N 102 D	Raster scanner Front	PROFINET	50 ... 160 mm	0.127 ... 0.2 mm	1,000 scans/s	LED Monochromatic graphical display 128 x 32 pixel
50116434	BCL 348i R1 M 102	Raster scanner Front	PROFINET	60 ... 320 mm	0.2 ... 0.5 mm	1,000 scans/s	LED
50116433	BCL 348i R1 M 102 D	Raster scanner Front	PROFINET	60 ... 320 mm	0.2 ... 0.5 mm	1,000 scans/s	LED Monochromatic graphical display 128 x 32 pixel
50116430	BCL 348i R1 F 102	Raster scanner Front	PROFINET	100 ... 475 mm	0.3 ... 0.5 mm	1,000 scans/s	LED
50116429	BCL 348i R1 F 102 D	Raster scanner Front	PROFINET	100 ... 475 mm	0.3 ... 0.5 mm	1,000 scans/s	LED Monochromatic graphical display 128 x 32 pixel
50116436	BCL 348i R1 N 100	Raster scanner with deflecting mirror Lateral with deflecting mirror	PROFINET	20 ... 130 mm	0.127 ... 0.2 mm	1,000 scans/s	LED
50116435	BCL 348i R1 N 100 D	Raster scanner with deflecting mirror Lateral with deflecting mirror	PROFINET	20 ... 130 mm	0.127 ... 0.2 mm	1,000 scans/s	LED Monochromatic graphical display 128 x 32 pixel
50116432	BCL 348i R1 M 100	Raster scanner with deflecting mirror Lateral with deflecting mirror	PROFINET	30 ... 290 mm	0.2 ... 0.5 mm	1,000 scans/s	LED
50116431	BCL 348i R1 M 100 D	Raster scanner with deflecting mirror Lateral with deflecting mirror	PROFINET	30 ... 290 mm	0.2 ... 0.5 mm	1,000 scans/s	LED Monochromatic graphical display 128 x 32 pixel
50116428	BCL 348i R1 F 100	Raster scanner with deflecting mirror Lateral with deflecting mirror	PROFINET	70 ... 445 mm	0.3 ... 0.5 mm	1,000 scans/s	LED
50116427	BCL 348i R1 F 100 D	Raster scanner with deflecting mirror Lateral with deflecting mirror	PROFINET	70 ... 445 mm	0.3 ... 0.5 mm	1,000 scans/s	LED Monochromatic graphical display 128 x 32 pixel
50123504	BCL 348i R1 J 100	Raster scanner with deflecting mirror Lateral with deflecting mirror	PROFINET	100 ... 600 mm	0.5 ... 0.8 mm	1,000 scans/s	LED
50116423	BCL 348i OM 100 D H	Oscillating-mirror scanner Zero position at side at angle less than 90°	PROFINET	40 ... 300 mm	0.2 ... 0.5 mm	1,000 scans/s	Heating LED Monochromatic graphical display 128 x 32 pixel
50116421	BCL 348i OM 100	Oscillating-mirror scanner Zero position at side at angle less than 90°	PROFINET	40 ... 300 mm	0.2 ... 0.5 mm	1,000 scans/s	LED
50116422	BCL 348i OM 100 D	Oscillating-mirror scanner Zero position at side at angle less than 90°	PROFINET	40 ... 300 mm	0.2 ... 0.5 mm	1,000 scans/s	LED Monochromatic graphical display 128 x 32 pixel
50116417	BCL 348i OF 100 D H	Oscillating-mirror scanner Zero position at side at angle less than 90°	PROFINET	80 ... 455 mm	0.3 ... 0.5 mm	1,000 scans/s	Heating LED Monochromatic graphical display 128 x 32 pixel
50116415	BCL 348i OF 100	Oscillating-mirror scanner Zero position at side at angle less than 90°	PROFINET	80 ... 455 mm	0.3 ... 0.5 mm	1,000 scans/s	LED
50116416	BCL 348i OF 100 D	Oscillating-mirror scanner Zero position at side at angle less than 90°	PROFINET	80 ... 455 mm	0.3 ... 0.5 mm	1,000 scans/s	LED Monochromatic graphical display 128 x 32 pixel
50116420	BCL 348i OL 100 D H	Oscillating-mirror scanner Zero position at side at angle less than 90°	PROFINET	80 ... 680 mm	0.35 ... 0.8 mm	1,000 scans/s	Heating LED Monochromatic graphical display 128 x 32 pixel
50116418	BCL 348i OL 100	Oscillating-mirror scanner Zero position at side at angle less than 90°	PROFINET	80 ... 680 mm	0.35 ... 0.8 mm	1,000 scans/s	LED
50116419	BCL 348i OL 100 D	Oscillating-mirror scanner Zero position at side at angle less than 90°	PROFINET	80 ... 680 mm	0.35 ... 0.8 mm	1,000 scans/s	LED Monochromatic graphical display 128 x 32 pixel

PROFIBUS DP interface

50116365	BCL 304i SN 102 D H	Line scanner Front	PROFIBUS DP	50 ... 160 mm	0.127 ... 0.2 mm	1,000 scans/s	Heating LED Monochromatic graphical display 128 x 32 pixel
50116367	BCL 304i SN 102	Line scanner Front	PROFIBUS DP	50 ... 160 mm	0.127 ... 0.2 mm	1,000 scans/s	LED
50116366	BCL 304i SN 102 D	Line scanner Front	PROFIBUS DP	50 ... 160 mm	0.127 ... 0.2 mm	1,000 scans/s	LED Monochromatic graphical display 128 x 32 pixel
50116359	BCL 304i SM 102 D H	Line scanner Front	PROFIBUS DP	60 ... 320 mm	0.2 ... 0.5 mm	1,000 scans/s	Heating LED Monochromatic graphical display 128 x 32 pixel
50116361	BCL 304i SM 102	Line scanner Front	PROFIBUS DP	60 ... 320 mm	0.2 ... 0.5 mm	1,000 scans/s	LED
50116360	BCL 304i SM 102 D	Line scanner Front	PROFIBUS DP	60 ... 320 mm	0.2 ... 0.5 mm	1,000 scans/s	LED Monochromatic graphical display 128 x 32 pixel
50116347	BCL 304i SF 102 D H	Line scanner Front	PROFIBUS DP	100 ... 470 mm	0.3 ... 0.5 mm	1,000 scans/s	Heating LED Monochromatic graphical display 128 x 32 pixel
50116349	BCL 304i SF 102	Line scanner Front	PROFIBUS DP	100 ... 470 mm	0.3 ... 0.5 mm	1,000 scans/s	LED
50116348	BCL 304i SF 102 D	Line scanner Front	PROFIBUS DP	100 ... 470 mm	0.3 ... 0.5 mm	1,000 scans/s	LED Monochromatic graphical display 128 x 32 pixel
50116353	BCL 304i SL 102 D H	Line scanner Front	PROFIBUS DP	100 ... 700 mm	0.35 ... 0.8 mm	1,000 scans/s	Heating LED Monochromatic graphical display 128 x 32 pixel
50116355	BCL 304i SL 102	Line scanner Front	PROFIBUS DP	100 ... 700 mm	0.35 ... 0.8 mm	1,000 scans/s	LED
50116354	BCL 304i SL 102 D	Line scanner Front	PROFIBUS DP	100 ... 700 mm	0.35 ... 0.8 mm	1,000 scans/s	LED Monochromatic graphical display 128 x 32 pixel
50116362	BCL 304i SN 100 D H	Line scanner with deflecting mirror Lateral with deflecting mirror	PROFIBUS DP	20 ... 130 mm	0.127 ... 0.2 mm	1,000 scans/s	Heating LED Monochromatic graphical display 128 x 32 pixel

Necessary accessories: A modular connector hood and terminal hood are required for operation!

Part no.	Part description	Reading method Light beam exit	Interface	Reading distance	Module size	Scanning rate	Special design Type of display
50116364	BCL 304i SN 100	Line scanner with deflecting mirror Lateral with deflecting mirror	PROFIBUS DP	20 ... 130 mm	0.127 ... 0.2 mm	1,000 scans/s	LED
50116363	BCL 304i SN 100 D	Line scanner with deflecting mirror Lateral with deflecting mirror	PROFIBUS DP	20 ... 130 mm	0.127 ... 0.2 mm	1,000 scans/s	LED Monochromatic graphical display 128 x 32 pixel
50116356	BCL 304i SM 100 D H	Line scanner with deflecting mirror Lateral with deflecting mirror	PROFIBUS DP	30 ... 290 mm	0.2 ... 0.5 mm	1,000 scans/s	Heating LED Monochromatic graphical display 128 x 32 pixel
50116358	BCL 304i SM 100	Line scanner with deflecting mirror Lateral with deflecting mirror	PROFIBUS DP	30 ... 290 mm	0.2 ... 0.5 mm	1,000 scans/s	LED
50116357	BCL 304i SM 100 D	Line scanner with deflecting mirror Lateral with deflecting mirror	PROFIBUS DP	30 ... 290 mm	0.2 ... 0.5 mm	1,000 scans/s	LED Monochromatic graphical display 128 x 32 pixel
50116344	BCL 304i SF 100 D H	Line scanner with deflecting mirror Lateral with deflecting mirror	PROFIBUS DP	70 ... 445 mm	0.3 ... 0.5 mm	1,000 scans/s	Heating LED Monochromatic graphical display 128 x 32 pixel
50116346	BCL 304i SF 100	Line scanner with deflecting mirror Lateral with deflecting mirror	PROFIBUS DP	70 ... 445 mm	0.3 ... 0.5 mm	1,000 scans/s	LED
50116345	BCL 304i SF 100 D	Line scanner with deflecting mirror Lateral with deflecting mirror	PROFIBUS DP	70 ... 445 mm	0.3 ... 0.5 mm	1,000 scans/s	LED Monochromatic graphical display 128 x 32 pixel
50116350	BCL 304i SL 100 D H	Line scanner with deflecting mirror Lateral with deflecting mirror	PROFIBUS DP	70 ... 670 mm	0.35 ... 0.8 mm	1,000 scans/s	Heating LED Monochromatic graphical display 128 x 32 pixel
50116352	BCL 304i SL 100	Line scanner with deflecting mirror Lateral with deflecting mirror	PROFIBUS DP	70 ... 670 mm	0.35 ... 0.8 mm	1,000 scans/s	LED
50116351	BCL 304i SL 100 D	Line scanner with deflecting mirror Lateral with deflecting mirror	PROFIBUS DP	70 ... 670 mm	0.35 ... 0.8 mm	1,000 scans/s	LED Monochromatic graphical display 128 x 32 pixel
50116343	BCL 304i R1 N 102	Raster scanner Front	PROFIBUS DP	50 ... 160 mm	0.127 ... 0.2 mm	1,000 scans/s	LED
50116342	BCL 304i R1 N 102 D	Raster scanner Front	PROFIBUS DP	50 ... 160 mm	0.127 ... 0.2 mm	1,000 scans/s	LED Monochromatic graphical display 128 x 32 pixel
50116339	BCL 304i R1 M 102	Raster scanner Front	PROFIBUS DP	60 ... 320 mm	0.2 ... 0.5 mm	1,000 scans/s	LED
50116338	BCL 304i R1 M 102 D	Raster scanner Front	PROFIBUS DP	60 ... 320 mm	0.2 ... 0.5 mm	1,000 scans/s	LED Monochromatic graphical display 128 x 32 pixel
50116335	BCL 304i R1 F 102	Raster scanner Front	PROFIBUS DP	100 ... 470 mm	0.3 ... 0.5 mm	1,000 scans/s	LED
50116334	BCL 304i R1 F 102 D	Raster scanner Front	PROFIBUS DP	100 ... 470 mm	0.3 ... 0.5 mm	1,000 scans/s	LED Monochromatic graphical display 128 x 32 pixel
50116341	BCL 304i R1 N 100	Raster scanner with deflecting mirror Lateral with deflecting mirror	PROFIBUS DP	20 ... 130 mm	0.127 ... 0.2 mm	1,000 scans/s	LED
50116340	BCL 304i R1 N 100 D	Raster scanner with deflecting mirror Lateral with deflecting mirror	PROFIBUS DP	20 ... 130 mm	0.127 ... 0.2 mm	1,000 scans/s	LED Monochromatic graphical display 128 x 32 pixel
50116337	BCL 304i R1 M 100	Raster scanner with deflecting mirror Lateral with deflecting mirror	PROFIBUS DP	30 ... 290 mm	0.2 ... 0.5 mm	1,000 scans/s	LED
50116336	BCL 304i R1 M 100 D	Raster scanner with deflecting mirror Lateral with deflecting mirror	PROFIBUS DP	30 ... 290 mm	0.2 ... 0.5 mm	1,000 scans/s	LED Monochromatic graphical display 128 x 32 pixel
50116333	BCL 304i R1 F 100	Raster scanner with deflecting mirror Lateral with deflecting mirror	PROFIBUS DP	70 ... 440 mm	0.3 ... 0.5 mm	1,000 scans/s	LED
50116332	BCL 304i R1 F 100 D	Raster scanner with deflecting mirror Lateral with deflecting mirror	PROFIBUS DP	70 ... 440 mm	0.3 ... 0.5 mm	1,000 scans/s	LED Monochromatic graphical display 128 x 32 pixel
50123506	BCL 304i R1 J 100	Raster scanner with deflecting mirror Lateral with deflecting mirror	PROFIBUS DP	100 ... 600 mm	0.5 ... 0.8 mm	1,000 scans/s	LED
50116328	BCL 304i OM 100 D H	Oscillating-mirror scanner Zero position at side at angle less than 90°	PROFIBUS DP	40 ... 300 mm	0.2 ... 0.5 mm	1,000 scans/s	Heating LED Monochromatic graphical display 128 x 32 pixel
50116326	BCL 304i OM 100	Oscillating-mirror scanner Zero position at side at angle less than 90°	PROFIBUS DP	40 ... 300 mm	0.2 ... 0.5 mm	1,000 scans/s	LED
50116327	BCL 304i OM 100 D	Oscillating-mirror scanner Zero position at side at angle less than 90°	PROFIBUS DP	40 ... 300 mm	0.2 ... 0.5 mm	1,000 scans/s	LED Monochromatic graphical display 128 x 32 pixel
50116322	BCL 304i OF 100 D H	Oscillating-mirror scanner Zero position at side at angle less than 90°	PROFIBUS DP	80 ... 455 mm	0.3 ... 0.5 mm	1,000 scans/s	Heating LED Monochromatic graphical display 128 x 32 pixel
50116320	BCL 304i OF 100	Oscillating-mirror scanner Zero position at side at angle less than 90°	PROFIBUS DP	80 ... 455 mm	0.3 ... 0.5 mm	1,000 scans/s	LED
50116321	BCL 304i OF 100 D	Oscillating-mirror scanner Zero position at side at angle less than 90°	PROFIBUS DP	80 ... 455 mm	0.3 ... 0.5 mm	1,000 scans/s	LED Monochromatic graphical display 128 x 32 pixel
50116325	BCL 304i OL 100 D H	Oscillating-mirror scanner Zero position at side at angle less than 90°	PROFIBUS DP	80 ... 680 mm	0.35 ... 0.8 mm	1,000 scans/s	Heating LED Monochromatic graphical display 128 x 32 pixel
50116323	BCL 304i OL 100	Oscillating-mirror scanner Zero position at side at angle less than 90°	PROFIBUS DP	80 ... 680 mm	0.35 ... 0.8 mm	1,000 scans/s	LED
50116324	BCL 304i OL 100 D	Oscillating-mirror scanner Zero position at side at angle less than 90°	PROFIBUS DP	80 ... 680 mm	0.35 ... 0.8 mm	1,000 scans/s	LED Monochromatic graphical display 128 x 32 pixel

MultiNet Plus, RS 485 interface

50116317	BCL 301i SN 102 D H	Line scanner Front	MultiNet Plus, RS 485	50 ... 160 mm	0.127 ... 0.2 mm	1,000 scans/s	Heating LED Monochromatic graphical display 128 x 32 pixel
50116319	BCL 301i SN 102	Line scanner Front	MultiNet Plus, RS 485	50 ... 160 mm	0.127 ... 0.2 mm	1,000 scans/s	LED

Necessary accessories: A modular connector hood and terminal hood are required for operation!

Switching sensors

Measuring sensors

Products for safety at work

Identification

Data transmission / Control components

Industrial image processing

Accessories

Part no.	Part description	Reading method Light beam exit	Interface	Reading distance	Module size	Scanning rate	Special design Type of display
50116318	BCL 301i SN 102 D	Line scanner Front	MultiNet Plus, RS 485	50 ... 160 mm	0.127 ... 0.2 mm	1,000 scans/s	LED Monochromatic graphical display 128 x 32 pixel
50116311	BCL 301i SM 102 D H	Line scanner Front	MultiNet Plus, RS 485	60 ... 320 mm	0.2 ... 0.5 mm	1,000 scans/s	Heating LED Monochromatic graphical display 128 x 32 pixel
50116313	BCL 301i SM 102	Line scanner Front	MultiNet Plus, RS 485	60 ... 320 mm	0.2 ... 0.5 mm	1,000 scans/s	LED
50116312	BCL 301i SM 102 D	Line scanner Front	MultiNet Plus, RS 485	60 ... 320 mm	0.2 ... 0.5 mm	1,000 scans/s	LED Monochromatic graphical display 128 x 32 pixel
50116299	BCL 301i SF 102 D H	Line scanner Front	MultiNet Plus, RS 485	100 ... 470 mm	0.3 ... 0.5 mm	1,000 scans/s	Heating LED Monochromatic graphical display 128 x 32 pixel
50116301	BCL 301i SF 102	Line scanner Front	MultiNet Plus, RS 485	100 ... 470 mm	0.3 ... 0.5 mm	1,000 scans/s	LED
50116300	BCL 301i SF 102 D	Line scanner Front	MultiNet Plus, RS 485	100 ... 470 mm	0.3 ... 0.5 mm	1,000 scans/s	LED Monochromatic graphical display 128 x 32 pixel
50116305	BCL 301i SL 102 D H	Line scanner Front	MultiNet Plus, RS 485	100 ... 700 mm	0.35 ... 0.8 mm	1,000 scans/s	Heating LED Monochromatic graphical display 128 x 32 pixel
50116307	BCL 301i SL 102	Line scanner Front	MultiNet Plus, RS 485	100 ... 700 mm	0.35 ... 0.8 mm	1,000 scans/s	LED
50116306	BCL 301i SL 102 D	Line scanner Front	MultiNet Plus, RS 485	100 ... 700 mm	0.35 ... 0.8 mm	1,000 scans/s	LED Monochromatic graphical display 128 x 32 pixel
50116314	BCL 301i SN 100 D H	Line scanner with deflecting mirror Lateral with deflecting mirror	MultiNet Plus, RS 485	20 ... 130 mm	0.127 ... 0.2 mm	1,000 scans/s	Heating LED Monochromatic graphical display 128 x 32 pixel
50116316	BCL 301i SN 100	Line scanner with deflecting mirror Lateral with deflecting mirror	MultiNet Plus, RS 485	20 ... 130 mm	0.127 ... 0.2 mm	1,000 scans/s	LED
50116315	BCL 301i SN 100 D	Line scanner with deflecting mirror Lateral with deflecting mirror	MultiNet Plus, RS 485	20 ... 130 mm	0.127 ... 0.2 mm	1,000 scans/s	LED Monochromatic graphical display 128 x 32 pixel
50116309	BCL 301i SM 100 D H	Line scanner with deflecting mirror Lateral with deflecting mirror	MultiNet Plus, RS 485	30 ... 290 mm	0.2 ... 0.5 mm	1,000 scans/s	Heating LED Monochromatic graphical display 128 x 32 pixel
50116308	BCL 301i SM 100	Line scanner with deflecting mirror Lateral with deflecting mirror	MultiNet Plus, RS 485	30 ... 290 mm	0.2 ... 0.5 mm	1,000 scans/s	LED
50116310	BCL 301i SM 100 D	Line scanner with deflecting mirror Lateral with deflecting mirror	MultiNet Plus, RS 485	30 ... 290 mm	0.2 ... 0.5 mm	1,000 scans/s	LED Monochromatic graphical display 128 x 32 pixel
50116296	BCL 301i SF 100 D H	Line scanner with deflecting mirror Lateral with deflecting mirror	MultiNet Plus, RS 485	70 ... 445 mm	0.3 ... 0.5 mm	1,000 scans/s	Heating LED Monochromatic graphical display 128 x 32 pixel
50116298	BCL 301i SF 100	Line scanner with deflecting mirror Lateral with deflecting mirror	MultiNet Plus, RS 485	70 ... 445 mm	0.3 ... 0.5 mm	1,000 scans/s	LED
50116297	BCL 301i SF 100 D	Line scanner with deflecting mirror Lateral with deflecting mirror	MultiNet Plus, RS 485	70 ... 445 mm	0.3 ... 0.5 mm	1,000 scans/s	LED Monochromatic graphical display 128 x 32 pixel
50116302	BCL 301i SL 100 D H	Line scanner with deflecting mirror Lateral with deflecting mirror	MultiNet Plus, RS 485	70 ... 670 mm	0.35 ... 0.8 mm	1,000 scans/s	Heating LED Monochromatic graphical display 128 x 32 pixel
50116304	BCL 301i SL 100	Line scanner with deflecting mirror Lateral with deflecting mirror	MultiNet Plus, RS 485	70 ... 670 mm	0.35 ... 0.8 mm	1,000 scans/s	LED
50116303	BCL 301i SL 100 D	Line scanner with deflecting mirror Lateral with deflecting mirror	MultiNet Plus, RS 485	70 ... 670 mm	0.35 ... 0.8 mm	1,000 scans/s	LED Monochromatic graphical display 128 x 32 pixel
50116295	BCL 301i R1 N 102	Raster scanner Front	MultiNet Plus, RS 485	50 ... 160 mm	0.127 ... 0.2 mm	1,000 scans/s	LED
50116294	BCL 301i R1 N 102 D	Raster scanner Front	MultiNet Plus, RS 485	50 ... 160 mm	0.127 ... 0.2 mm	1,000 scans/s	LED Monochromatic graphical display 128 x 32 pixel
50116291	BCL 301i R1 M 102	Raster scanner Front	MultiNet Plus, RS 485	60 ... 320 mm	0.2 ... 0.5 mm	1,000 scans/s	LED
50116290	BCL 301i R1 M 102 D	Raster scanner Front	MultiNet Plus, RS 485	60 ... 320 mm	0.2 ... 0.5 mm	1,000 scans/s	LED Monochromatic graphical display 128 x 32 pixel
50116287	BCL 301i R1 F 102	Raster scanner Front	MultiNet Plus, RS 485	100 ... 470 mm	0.3 ... 0.5 mm	1,000 scans/s	LED
50116286	BCL 301i R1 F 102 D	Raster scanner Front	MultiNet Plus, RS 485	100 ... 470 mm	0.3 ... 0.5 mm	1,000 scans/s	LED Monochromatic graphical display 128 x 32 pixel
50116293	BCL 301i R1 N 100	Raster scanner with deflecting mirror Lateral with deflecting mirror	MultiNet Plus, RS 485	20 ... 130 mm	0.127 ... 0.2 mm	1,000 scans/s	LED
50116292	BCL 301i R1 N 100 D	Raster scanner with deflecting mirror Lateral with deflecting mirror	MultiNet Plus, RS 485	20 ... 130 mm	0.127 ... 0.2 mm	1,000 scans/s	LED Monochromatic graphical display 128 x 32 pixel
50116289	BCL 301i R1 M 100	Raster scanner with deflecting mirror Lateral with deflecting mirror	MultiNet Plus, RS 485	30 ... 290 mm	0.2 ... 0.5 mm	1,000 scans/s	LED
50116288	BCL 301i R1 M 100 D	Raster scanner with deflecting mirror Lateral with deflecting mirror	MultiNet Plus, RS 485	30 ... 290 mm	0.2 ... 0.5 mm	1,000 scans/s	LED Monochromatic graphical display 128 x 32 pixel
50116285	BCL 301i R1 F 100	Raster scanner with deflecting mirror Lateral with deflecting mirror	MultiNet Plus, RS 485	40 ... 440 mm	0.3 ... 0.5 mm	1,000 scans/s	LED
50116284	BCL 301i R1 F 100 D	Raster scanner with deflecting mirror Lateral with deflecting mirror	MultiNet Plus, RS 485	70 ... 440 mm	0.3 ... 0.5 mm	1,000 scans/s	LED Monochromatic graphical display 128 x 32 pixel
50123507	BCL 301i R1 J 100	Raster scanner with deflecting mirror Lateral with deflecting mirror	MultiNet Plus, RS 485	100 ... 600 mm	0.5 ... 0.8 mm	1,000 scans/s	LED
50116280	BCL 301i OM 100 D H	Oscillating-mirror scanner Zero position at side at angle less than 90°	MultiNet Plus, RS 485	40 ... 300 mm	0.2 ... 0.5 mm	1,000 scans/s	Heating LED Monochromatic graphical display 128 x 32 pixel
50116278	BCL 301i OM 100	Oscillating-mirror scanner Zero position at side at angle less than 90°	MultiNet Plus, RS 485	40 ... 300 mm	0.2 ... 0.5 mm	1,000 scans/s	LED

Necessary accessories: A modular connector hood and terminal hood are required for operation!

Part no.	Part description	Reading method Light beam exit	Interface	Reading distance	Module size	Scanning rate	Special design Type of display
50116279	BCL 301i OM 100 D	Oscillating-mirror scanner Zero position at side at angle less than 90°	MultiNet Plus, RS 485	40 ... 300 mm	0.2 ... 0.5 mm	1,000 scans/s	LED Monochromatic graphical display 128 x 32 pixel
50116274	BCL 301i OF 100 D H	Oscillating-mirror scanner Zero position at side at angle less than 90°	MultiNet Plus, RS 485	80 ... 455 mm	0.3 ... 0.5 mm	1,000 scans/s	Heating LED Monochromatic graphical display 128 x 32 pixel
50116272	BCL 301i OF 100	Oscillating-mirror scanner Zero position at side at angle less than 90°	MultiNet Plus, RS 485	80 ... 455 mm	0.3 ... 0.5 mm	1,000 scans/s	LED
50116273	BCL 301i OF 100 D	Oscillating-mirror scanner Zero position at side at angle less than 90°	MultiNet Plus, RS 485	80 ... 455 mm	0.3 ... 0.5 mm	1,000 scans/s	LED Monochromatic graphical display 128 x 32 pixel
50116277	BCL 301i OL 100 D H	Oscillating-mirror scanner Zero position at side at angle less than 90°	MultiNet Plus, RS 485	80 ... 680 mm	0.35 ... 0.8 mm	1,000 scans/s	Heating LED Monochromatic graphical display 128 x 32 pixel
50116275	BCL 301i OL 100	Oscillating-mirror scanner Zero position at side at angle less than 90°	MultiNet Plus, RS 485	80 ... 680 mm	0.35 ... 0.8 mm	1,000 scans/s	LED
50116276	BCL 301i OL 100 D	Oscillating-mirror scanner Zero position at side at angle less than 90°	MultiNet Plus, RS 485	80 ... 680 mm	0.35 ... 0.8 mm	1,000 scans/s	LED Monochromatic graphical display 128 x 32 pixel

Switching sensors

Ethernet interface

50116412	BCL 308i SN 102 D H	Line scanner Front	Ethernet	50 ... 160 mm	0.127 ... 0.2 mm	1,000 scans/s	Heating LED Monochromatic graphical display 128 x 32 pixel
50116414	BCL 308i SN 102	Line scanner Front	Ethernet	50 ... 160 mm	0.127 ... 0.2 mm	1,000 scans/s	LED
50116413	BCL 308i SN 102 D	Line scanner Front	Ethernet	50 ... 160 mm	0.127 ... 0.2 mm	1,000 scans/s	LED Monochromatic graphical display 128 x 32 pixel
50116406	BCL 308i SM 102 D H	Line scanner Front	Ethernet	60 ... 320 mm	0.2 ... 0.5 mm	1,000 scans/s	Heating LED Monochromatic graphical display 128 x 32 pixel
50116408	BCL 308i SM 102	Line scanner Front	Ethernet	60 ... 320 mm	0.2 ... 0.5 mm	1,000 scans/s	LED
50116407	BCL 308i SM 102 D	Line scanner Front	Ethernet	60 ... 320 mm	0.2 ... 0.5 mm	1,000 scans/s	LED Monochromatic graphical display 128 x 32 pixel
50116395	BCL 308i SF 102 D H	Line scanner Front	Ethernet	100 ... 470 mm	0.3 ... 0.5 mm	1,000 scans/s	Heating LED Monochromatic graphical display 128 x 32 pixel
50116396	BCL 308i SF 102	Line scanner Front	Ethernet	100 ... 470 mm	0.3 ... 0.5 mm	1,000 scans/s	LED
50114822	BCL 308i SF 102 D	Line scanner Front	Ethernet	100 ... 470 mm	0.3 ... 0.5 mm	1,000 scans/s	LED Monochromatic graphical display 128 x 32 pixel
50116400	BCL 308i SL 102 D H	Line scanner Front	Ethernet	100 ... 700 mm	0.35 ... 0.8 mm	1,000 scans/s	Heating LED Monochromatic graphical display 128 x 32 pixel
50116402	BCL 308i SL 102	Line scanner Front	Ethernet	100 ... 700 mm	0.35 ... 0.8 mm	1,000 scans/s	LED
50116401	BCL 308i SL 102 D	Line scanner Front	Ethernet	100 ... 700 mm	0.35 ... 0.8 mm	1,000 scans/s	LED Monochromatic graphical display 128 x 32 pixel
50116409	BCL 308i SN 100 D H	Line scanner with deflecting mirror Lateral with deflecting mirror	Ethernet	20 ... 130 mm	0.127 ... 0.2 mm	1,000 scans/s	Heating LED Monochromatic graphical display 128 x 32 pixel
50116411	BCL 308i SN 100	Line scanner with deflecting mirror Lateral with deflecting mirror	Ethernet	20 ... 130 mm	0.127 ... 0.2 mm	1,000 scans/s	LED
50116410	BCL 308i SN 100 D	Line scanner with deflecting mirror Lateral with deflecting mirror	Ethernet	20 ... 130 mm	0.127 ... 0.2 mm	1,000 scans/s	LED Monochromatic graphical display 128 x 32 pixel
50116403	BCL 308i SM 100 D H	Line scanner with deflecting mirror Lateral with deflecting mirror	Ethernet	30 ... 290 mm	0.2 ... 0.5 mm	1,000 scans/s	Heating LED Monochromatic graphical display 128 x 32 pixel
50116405	BCL 308i SM 100	Line scanner with deflecting mirror Lateral with deflecting mirror	Ethernet	30 ... 290 mm	0.2 ... 0.5 mm	1,000 scans/s	LED
50116404	BCL 308i SM 100 D	Line scanner with deflecting mirror Lateral with deflecting mirror	Ethernet	30 ... 290 mm	0.2 ... 0.5 mm	1,000 scans/s	LED Monochromatic graphical display 128 x 32 pixel
50116392	BCL 308i SF 100 D H	Line scanner with deflecting mirror Lateral with deflecting mirror	Ethernet	70 ... 445 mm	0.3 ... 0.5 mm	1,000 scans/s	Heating LED Monochromatic graphical display 128 x 32 pixel
50116394	BCL 308i SF 100	Line scanner with deflecting mirror Lateral with deflecting mirror	Ethernet	70 ... 445 mm	0.3 ... 0.5 mm	1,000 scans/s	LED
50116393	BCL 308i SF 100 D	Line scanner with deflecting mirror Lateral with deflecting mirror	Ethernet	70 ... 445 mm	0.3 ... 0.5 mm	1,000 scans/s	LED Monochromatic graphical display 128 x 32 pixel
50116397	BCL 308i SL 100 D H	Line scanner with deflecting mirror Lateral with deflecting mirror	Ethernet	70 ... 670 mm	0.35 ... 0.8 mm	1,000 scans/s	Heating LED Monochromatic graphical display 128 x 32 pixel
50116399	BCL 308i SL 100	Line scanner with deflecting mirror Lateral with deflecting mirror	Ethernet	70 ... 670 mm	0.35 ... 0.8 mm	1,000 scans/s	LED
50116398	BCL 308i SL 100 D	Line scanner with deflecting mirror Lateral with deflecting mirror	Ethernet	70 ... 670 mm	0.35 ... 0.8 mm	1,000 scans/s	LED Monochromatic graphical display 128 x 32 pixel
50116391	BCL 308i R1 N 102	Raster scanner Front	Ethernet	50 ... 160 mm	0.127 ... 0.2 mm	1,000 scans/s	LED
50116390	BCL 308i R1 N 102 D	Raster scanner Front	Ethernet	50 ... 160 mm	0.127 ... 0.2 mm	1,000 scans/s	LED Monochromatic graphical display 128 x 32 pixel
50116387	BCL 308i R1 M 102	Raster scanner Front	Ethernet	60 ... 320 mm	0.2 ... 0.5 mm	1,000 scans/s	LED

Measuring sensors

Products for safety at work

Identification

Data transmission / Control components

Industrial image processing

Accessories

Necessary accessories: A modular connector hood and terminal hood are required for operation!

Part no.	Part description	Reading method Light beam exit	Interface	Reading distance	Module size	Scanning rate	Special design Type of display
50116386	BCL 308i R1 M 102 D	Raster scanner Front	Ethernet	60 ... 320 mm	0.2 ... 0.5 mm	1,000 scans/s	LED Monochromatic graphical display 128 x 32 pixel
50116383	BCL 308i R1 F 102	Raster scanner Front	Ethernet	100 ... 470 mm	0.3 ... 0.5 mm	1,000 scans/s	LED
50116382	BCL 308i R1 F 102 D	Raster scanner Front	Ethernet	100 ... 470 mm	0.3 ... 0.5 mm	1,000 scans/s	LED Monochromatic graphical display 128 x 32 pixel
50116389	BCL 308i R1 N 100	Raster scanner with deflecting mirror Lateral with deflecting mirror	Ethernet	20 ... 130 mm	0.127 ... 0.2 mm	1,000 scans/s	LED
50116388	BCL 308i R1 N 100 D	Raster scanner with deflecting mirror Lateral with deflecting mirror	Ethernet	20 ... 130 mm	0.127 ... 0.2 mm	1,000 scans/s	LED Monochromatic graphical display 128 x 32 pixel
50116385	BCL 308i R1 M 100	Raster scanner with deflecting mirror Lateral with deflecting mirror	Ethernet	30 ... 290 mm	0.2 ... 0.5 mm	1,000 scans/s	LED
50116384	BCL 308i R1 M 100 D	Raster scanner with deflecting mirror Lateral with deflecting mirror	Ethernet	30 ... 290 mm	0.2 ... 0.5 mm	1,000 scans/s	LED Monochromatic graphical display 128 x 32 pixel
50116381	BCL 308i R1 F 100	Raster scanner with deflecting mirror Lateral with deflecting mirror	Ethernet	70 ... 440 mm	0.3 ... 0.5 mm	1,000 scans/s	LED
50116380	BCL 308i R1 F 100 D	Raster scanner with deflecting mirror Lateral with deflecting mirror	Ethernet	70 ... 440 mm	0.3 ... 0.5 mm	1,000 scans/s	LED Monochromatic graphical display 128 x 32 pixel
50123505	BCL 308i R1 J 100	Raster scanner with deflecting mirror Lateral with deflecting mirror	Ethernet	100 ... 600 mm	0.5 ... 0.8 mm	1,000 scans/s	LED
50116376	BCL 308i OM 100 D H	Oscillating-mirror scanner Zero position at side at angle less than 90°	Ethernet	40 ... 300 mm	0.2 ... 0.5 mm	1,000 scans/s	Heating LED Monochromatic graphical display 128 x 32 pixel
50116374	BCL 308i OM 100	Oscillating-mirror scanner Zero position at side at angle less than 90°	Ethernet	40 ... 300 mm	0.2 ... 0.5 mm	1,000 scans/s	LED
50116375	BCL 308i OM 100 D	Oscillating-mirror scanner Zero position at side at angle less than 90°	Ethernet	40 ... 300 mm	0.2 ... 0.5 mm	1,000 scans/s	LED Monochromatic graphical display 128 x 32 pixel
50116370	BCL 308i OF 100 D H	Oscillating-mirror scanner Zero position at side at angle less than 90°	Ethernet	80 ... 455 mm	0.3 ... 0.5 mm	1,000 scans/s	Heating LED Monochromatic graphical display 128 x 32 pixel
50116368	BCL 308i OF 100	Oscillating-mirror scanner Zero position at side at angle less than 90°	Ethernet	80 ... 455 mm	0.3 ... 0.5 mm	1,000 scans/s	LED
50116369	BCL 308i OF 100 D	Oscillating-mirror scanner Zero position at side at angle less than 90°	Ethernet	80 ... 455 mm	0.3 ... 0.5 mm	1,000 scans/s	LED Monochromatic graphical display 128 x 32 pixel
50116373	BCL 308i OL 100 D H	Oscillating-mirror scanner Zero position at side at angle less than 90°	Ethernet	80 ... 680 mm	0.35 ... 0.8 mm	1,000 scans/s	Heating LED Monochromatic graphical display 128 x 32 pixel
50116371	BCL 308i OL 100	Oscillating-mirror scanner Zero position at side at angle less than 90°	Ethernet	80 ... 680 mm	0.35 ... 0.8 mm	1,000 scans/s	LED
50116372	BCL 308i OL 100 D	Oscillating-mirror scanner Zero position at side at angle less than 90°	Ethernet	80 ... 680 mm	0.35 ... 0.8 mm	1,000 scans/s	LED Monochromatic graphical display 128 x 32 pixel

EtherNet IP interface

50120795	BCL 358i SN 102 D H	Line scanner Front	EtherNet IP	50 ... 160 mm	0.127 ... 0.2 mm	1,000 scans/s	Heating LED Monochromatic graphical display 128 x 32 pixel
50120793	BCL 358i SN 102	Line scanner Front	EtherNet IP	50 ... 160 mm	0.127 ... 0.2 mm	1,000 scans/s	LED
50120794	BCL 358i SN 102 D	Line scanner Front	EtherNet IP	50 ... 160 mm	0.127 ... 0.2 mm	1,000 scans/s	LED Monochromatic graphical display 128 x 32 pixel
50120789	BCL 358i SM 102 D H	Line scanner Front	EtherNet IP	60 ... 320 mm	0.2 ... 0.5 mm	1,000 scans/s	Heating LED Monochromatic graphical display 128 x 32 pixel
50120787	BCL 358i SM 102	Line scanner Front	EtherNet IP	60 ... 320 mm	0.2 ... 0.5 mm	1,000 scans/s	LED
50120788	BCL 358i SM 102 D	Line scanner Front	EtherNet IP	60 ... 320 mm	0.2 ... 0.5 mm	1,000 scans/s	LED Monochromatic graphical display 128 x 32 pixel
50120777	BCL 358i SF 102 D H	Line scanner Front	EtherNet IP	100 ... 475 mm	0.3 ... 0.8 mm	1,000 scans/s	Heating LED Monochromatic graphical display 128 x 32 pixel
50120775	BCL 358i SF 102	Line scanner Front	EtherNet IP	100 ... 475 mm	0.3 ... 0.8 mm	1,000 scans/s	LED
50120776	BCL 358i SF 102 D	Line scanner Front	EtherNet IP	100 ... 475 mm	0.3 ... 0.8 mm	1,000 scans/s	LED Monochromatic graphical display 128 x 32 pixel
50120783	BCL 358i SL 102 D H	Line scanner Front	EtherNet IP	100 ... 700 mm	0.35 ... 0.8 mm	1,000 scans/s	Heating LED Monochromatic graphical display 128 x 32 pixel
50120781	BCL 358i SL 102	Line scanner Front	EtherNet IP	100 ... 700 mm	0.35 ... 0.8 mm	1,000 scans/s	LED
50120782	BCL 358i SL 102 D	Line scanner Front	EtherNet IP	100 ... 700 mm	0.35 ... 0.8 mm	1,000 scans/s	LED Monochromatic graphical display 128 x 32 pixel
50120792	BCL 358i SN 100 D H	Line scanner with deflecting mirror Lateral with deflecting mirror	EtherNet IP	20 ... 130 mm	0.127 ... 0.2 mm	1,000 scans/s	Heating LED Monochromatic graphical display 128 x 32 pixel
50120790	BCL 358i SN 100	Line scanner with deflecting mirror Lateral with deflecting mirror	EtherNet IP	20 ... 130 mm	0.127 ... 0.2 mm	1,000 scans/s	LED
50120791	BCL 358i SN 100 D	Line scanner with deflecting mirror Lateral with deflecting mirror	EtherNet IP	20 ... 130 mm	0.127 ... 0.2 mm	1,000 scans/s	LED Monochromatic graphical display 128 x 32 pixel
50120786	BCL 358i SM 100 D H	Line scanner with deflecting mirror Lateral with deflecting mirror	EtherNet IP	30 ... 290 mm	0.2 ... 0.5 mm	1,000 scans/s	Heating LED Monochromatic graphical display 128 x 32 pixel

Necessary accessories: A modular connector hood and terminal hood are required for operation!

Part no.	Part description	Reading method Light beam exit	Interface	Reading distance	Module size	Scanning rate	Special design Type of display
50120784	BCL 358i SM 100	Line scanner with deflecting mirror Lateral with deflecting mirror	EtherNet IP	30 ... 290 mm	0.2 ... 0.5 mm	1,000 scans/s	LED
50120785	BCL 358i SM 100 D	Line scanner with deflecting mirror Lateral with deflecting mirror	EtherNet IP	30 ... 290 mm	0.2 ... 0.5 mm	1,000 scans/s	LED Monochromatic graphical display 128 x 32 pixel
50120774	BCL 358i SF 100 D H	Line scanner with deflecting mirror Lateral with deflecting mirror	EtherNet IP	70 ... 445 mm	0.3 ... 0.8 mm	1,000 scans/s	Heating LED Monochromatic graphical display 128 x 32 pixel
50120772	BCL 358i SF 100	Line scanner with deflecting mirror Lateral with deflecting mirror	EtherNet IP	70 ... 445 mm	0.3 ... 0.8 mm	1,000 scans/s	LED
50120773	BCL 358i SF 100 D	Line scanner with deflecting mirror Lateral with deflecting mirror	EtherNet IP	70 ... 445 mm	0.3 ... 0.8 mm	1,000 scans/s	LED Monochromatic graphical display 128 x 32 pixel
50120780	BCL 358i SL 100 D H	Line scanner with deflecting mirror Lateral with deflecting mirror	EtherNet IP	70 ... 670 mm	0.35 ... 0.8 mm	1,000 scans/s	Heating LED Monochromatic graphical display 128 x 32 pixel
50120778	BCL 358i SL 100	Line scanner with deflecting mirror Lateral with deflecting mirror	EtherNet IP	70 ... 670 mm	0.35 ... 0.8 mm	1,000 scans/s	LED
50120779	BCL 358i SL 100 D	Line scanner with deflecting mirror Lateral with deflecting mirror	EtherNet IP	70 ... 670 mm	0.35 ... 0.8 mm	1,000 scans/s	LED Monochromatic graphical display 128 x 32 pixel
50120770	BCL 358i R1 N 102	Raster scanner Front	EtherNet IP	50 ... 160 mm	0.127 ... 0.2 mm	1,000 scans/s	LED
50120771	BCL 358i R1 N 102 D	Raster scanner Front	EtherNet IP	50 ... 160 mm	0.127 ... 0.2 mm	1,000 scans/s	LED Monochromatic graphical display 128 x 32 pixel
50120766	BCL 358i R1 M 102	Raster scanner Front	EtherNet IP	60 ... 320 mm	0.2 ... 0.5 mm	1,000 scans/s	LED
50120767	BCL 358i R1 M 102 D	Raster scanner Front	EtherNet IP	60 ... 320 mm	0.2 ... 0.5 mm	1,000 scans/s	LED Monochromatic graphical display 128 x 32 pixel
50120762	BCL 358i R1 F 102	Raster scanner Front	EtherNet IP	100 ... 475 mm	0.3 ... 0.8 mm	1,000 scans/s	LED
50120763	BCL 358i R1 F 102 D	Raster scanner Front	EtherNet IP	100 ... 475 mm	0.3 ... 0.8 mm	1,000 scans/s	LED Monochromatic graphical display 128 x 32 pixel
50120768	BCL 358i R1 N 100	Raster scanner with deflecting mirror Lateral with deflecting mirror	EtherNet IP	20 ... 130 mm	0.127 ... 0.2 mm	1,000 scans/s	LED
50120769	BCL 358i R1 N 100 D	Raster scanner with deflecting mirror Lateral with deflecting mirror	EtherNet IP	20 ... 130 mm	0.127 ... 0.2 mm	1,000 scans/s	LED Monochromatic graphical display 128 x 32 pixel
50120764	BCL 358i R1 M 100	Raster scanner with deflecting mirror Lateral with deflecting mirror	EtherNet IP	30 ... 290 mm	0.2 ... 0.5 mm	1,000 scans/s	LED
50120765	BCL 358i R1 M 100 D	Raster scanner with deflecting mirror Lateral with deflecting mirror	EtherNet IP	30 ... 290 mm	0.2 ... 0.5 mm	1,000 scans/s	LED Monochromatic graphical display 128 x 32 pixel
50120760	BCL 358i R1 F 100	Raster scanner with deflecting mirror Lateral with deflecting mirror	EtherNet IP	70 ... 445 mm	0.3 ... 0.8 mm	1,000 scans/s	LED
50120761	BCL 358i R1 F 100 D	Raster scanner with deflecting mirror Lateral with deflecting mirror	EtherNet IP	70 ... 445 mm	0.3 ... 0.8 mm	1,000 scans/s	LED Monochromatic graphical display 128 x 32 pixel
50123503	BCL 358i R1 J 100	Raster scanner with deflecting mirror Lateral with deflecting mirror	EtherNet IP	100 ... 600 mm	0.5 ... 0.8 mm	1,000 scans/s	LED
50120756	BCL 358i OM 100 D H	Oscillating-mirror scanner Zero position at side at angle less than 90°	EtherNet IP	40 ... 300 mm	0.2 ... 0.5 mm	1,000 scans/s	Heating LED Monochromatic graphical display 128 x 32 pixel
50120754	BCL 358i OM 100	Oscillating-mirror scanner Zero position at side at angle less than 90°	EtherNet IP	40 ... 300 mm	0.2 ... 0.5 mm	1,000 scans/s	LED
50120755	BCL 358i OM 100 D	Oscillating-mirror scanner Zero position at side at angle less than 90°	EtherNet IP	40 ... 300 mm	0.2 ... 0.5 mm	1,000 scans/s	LED Monochromatic graphical display 128 x 32 pixel
50120750	BCL 358i OF 100 D H	Oscillating-mirror scanner Zero position at side at angle less than 90°	EtherNet IP	80 ... 455 mm	0.3 ... 0.5 mm	1,000 scans/s	Heating LED Monochromatic graphical display 128 x 32 pixel
50120748	BCL 358i OF 100	Oscillating-mirror scanner Zero position at side at angle less than 90°	EtherNet IP	80 ... 455 mm	0.3 ... 0.5 mm	1,000 scans/s	LED
50120749	BCL 358i OF 100 D	Oscillating-mirror scanner Zero position at side at angle less than 90°	EtherNet IP	80 ... 455 mm	0.3 ... 0.5 mm	1,000 scans/s	LED Monochromatic graphical display 128 x 32 pixel
50120753	BCL 358i OL 100 D H	Oscillating-mirror scanner Zero position at side at angle less than 90°	EtherNet IP	80 ... 680 mm	0.35 ... 0.8 mm	1,000 scans/s	Heating LED Monochromatic graphical display 128 x 32 pixel
50120751	BCL 358i OL 100	Oscillating-mirror scanner Zero position at side at angle less than 90°	EtherNet IP	80 ... 680 mm	0.35 ... 0.8 mm	1,000 scans/s	LED
50120752	BCL 358i OL 100 D	Oscillating-mirror scanner Zero position at side at angle less than 90°	EtherNet IP	80 ... 680 mm	0.35 ... 0.8 mm	1,000 scans/s	LED Monochromatic graphical display 128 x 32 pixel

Necessary accessories: A modular connector hood and terminal hood are required for operation!

Switching sensors

Measuring sensors

Products for safety at work

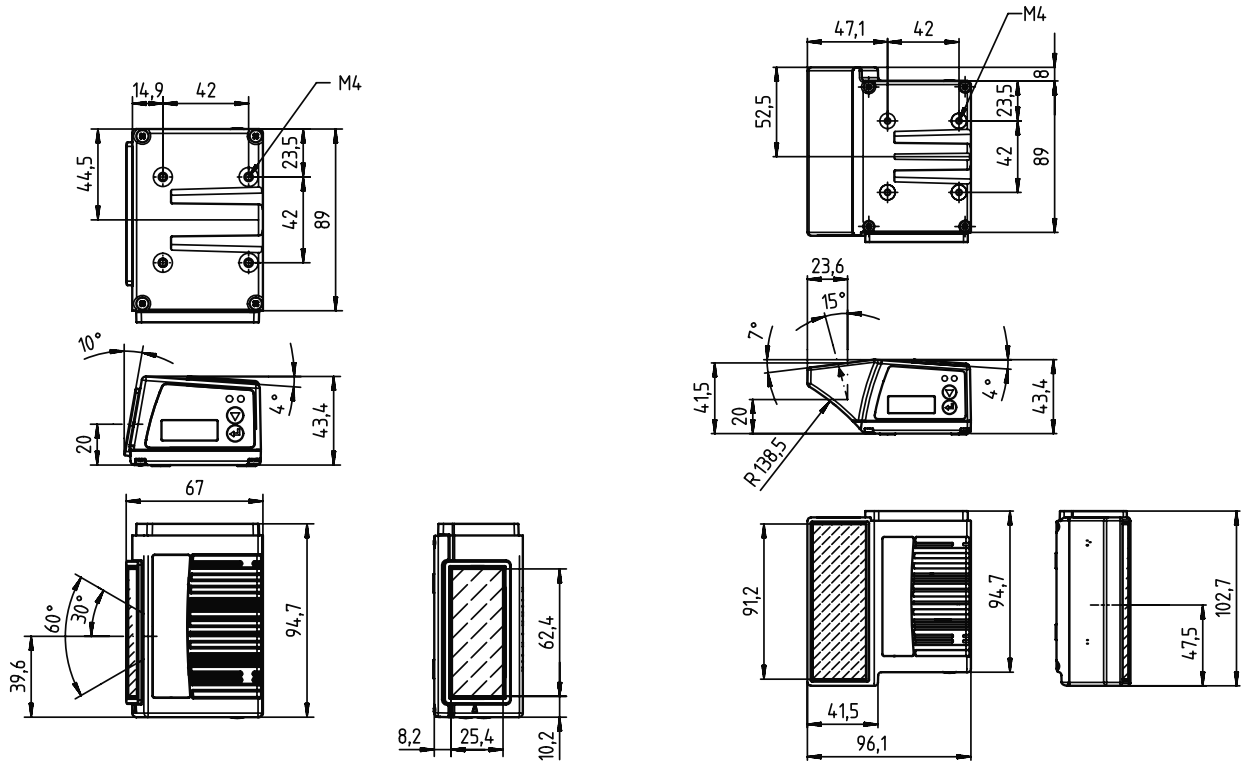
Identification

Data transmission / Control components

Industrial image processing

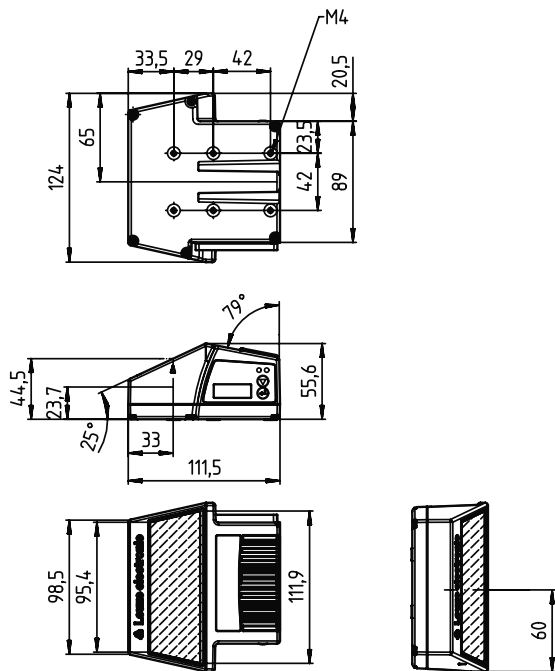
Accessories

Dimensioned drawings: BCL 300i



BCL 300i bar code readers with front beam exit

BCL 300i bar code readers with deflecting mirror



BCL 300i bar code readers with oscillating mirror

ACCESSORIES: BCL 300i

Connection technology

Terminal boxes

Part no.	Part description	Connections	Connection	Suitable for interface
50116463	MK 300	3x	Terminal, M16	RS 232
50116464	MK 301	4x	Terminal, M16	MultiNet Plus

Further terminal boxes can be found on our website

Part no.	Part description	Connections	Connection	Suitable for interface
50116465	MK 304	4x	Terminal, M16	PROFIBUS DP
50116466	MK 308	4x	Terminal, M16	Ethernet
50116467	MK 348	4x	Terminal, M16	PROFINET
50120796	MK 358	4x	Terminal, M16	EtherNet IP
50116468	MS 300	3x	Connector, M12	RS 232
50116469	MS 301	5x	Connector, M12	MultiNet Plus
50116470	MS 304	4x	Connector, M12	PROFIBUS DP
50114823	MS 308	4x	Connector, M12	Ethernet
50116471	MS 348	4x	Connector, M12	PROFINET
50120797	MS 358	4x	Connector, M12	EtherNet IP

Further terminal boxes can be found on our website

Connection units

Part no.	Part description	Suitable for	Interface	Degree of protection
50114369	MA 100	BCL 300i, BCL 301i	RS 232 RS 485	IP 54

Connection cables

Part no.	Part description	Connection 1	No. of pins	Cable length	Interface	Sheathing material
50104557	K-D M12A-5P-5m-PVC	Connector, M12, axial, female	5-pin	5,000 mm		PVC
50104171	KB SSI/IBS-5000-BA	Connector, M12, axial, female	5-pin	5,000 mm	SSI, Interbus-S	PUR
50104187	KB PB-5000-SA	Connector, M12, axial, male	5-pin	5,000 mm	PROFIBUS DP	PUR
50104180	KB PB-5000-BA	Connector, M12, axial, female	5-pin	5,000 mm	PROFIBUS DP	PUR

Further connection cables can be found on our website

Interconnection cables

Part no.	Part description	Connection 1	Connection 1, no. of pins	Connection 2	Connection 2, no. of pins	Cable length	Interface	Sheathing material
50130631	KSS ET-M12-4A-M12-4A-P7-010	Connector, M12, axial, male	4-pin	Connector, M12, axial, male	4-pin	1,000 mm	Ethernet	PUR
50130632	KSS ET-M12-4A-RJ45-A-P7-010	Connector, M12, axial, male	4-pin	RJ45		1,000 mm	Ethernet	PUR
50109881	KB ET-5000-SA-RJ45	Connector, M12, axial, male	4-pin	RJ45		5,000 mm	Ethernet	PUR
50106900	KB ET-5000-SSA	Connector, M12, axial, male	4-pin	Connector, M12, axial, male	4-pin	5,000 mm	Ethernet	PUR
50104098	KB PB-5000-SBA	Connector, M12, axial, female	5-pin	Connector, M12, axial, male	5-pin	5,000 mm	PROFIBUS DP	PUR
50114571	KB 301-3000	Socket connector		JST ZHR		3,000 mm	RS 232	PVC

Further interconnection cables can be found on our website

User-configurable connectors

Part no.	Part description	Connection	No. of pins	Interface
50108991	D-ET1	RJ45		Ethernet
50112155	S-M12A-ET	Connector, M12, axial, male	4-pin	Ethernet
50038538	KD 02-5-BA	Connector, M12, axial, female	5-pin	PROFIBUS DP, multiNet Plus
50038537	KD 02-5-SA	Connector, M12, axial, male	5-pin	PROFIBUS DP, multiNet Plus
50020501	KD 095-5A	Connector, M12, axial, female	5-pin	

Further connectors can be found on our website

Mounting systems

Mounting brackets

Part no.	Part description	Design	Fastening at device	Fastening at system	Material
50121433	BT 300 W	Angle, L-shape	Screw type	Through-hole mounting	Metal

Further mounting brackets can be found on our website

Rod mounts

Part no.	Part description	Design	Fastening at device	Fastening at system	Material
50027375	BT 56	Mounting system	Clampable	For 16 mm rod, for 18 mm rod, for 20 mm rod	Metal
50121435	BT 56 - 1	Mounting system	Clampable	For 12 mm rod, for 14 mm rod, for 16 mm rod	Metal
50121434	BT 300 - 1	Mounting system	Screw type	For 12 mm rod, for 14 mm rod, for 16 mm rod	Metal

Further rod mounts can be found on our website

Switching sensors

Measuring sensors

Products for safety at work

Identification

Data transmission / Control components

Industrial image processing

Accessories